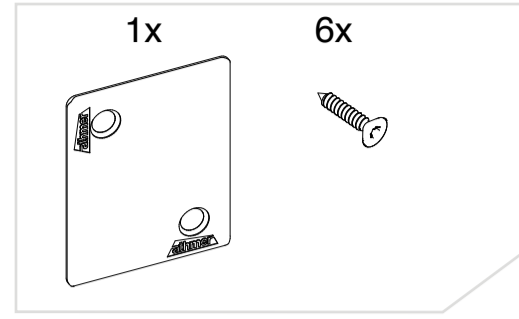
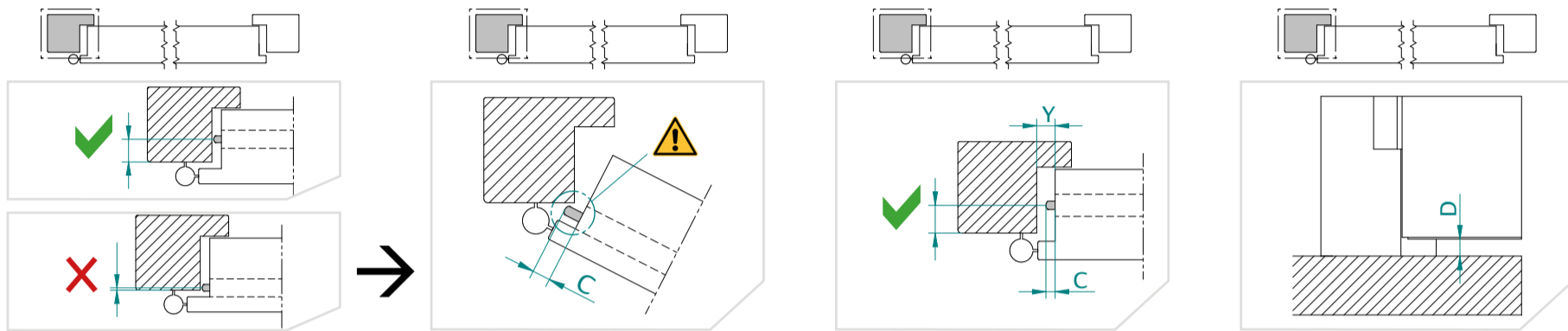


	LD-24/20 TS
A (mm)	24
B (mm)	20
H max. (mm)	16

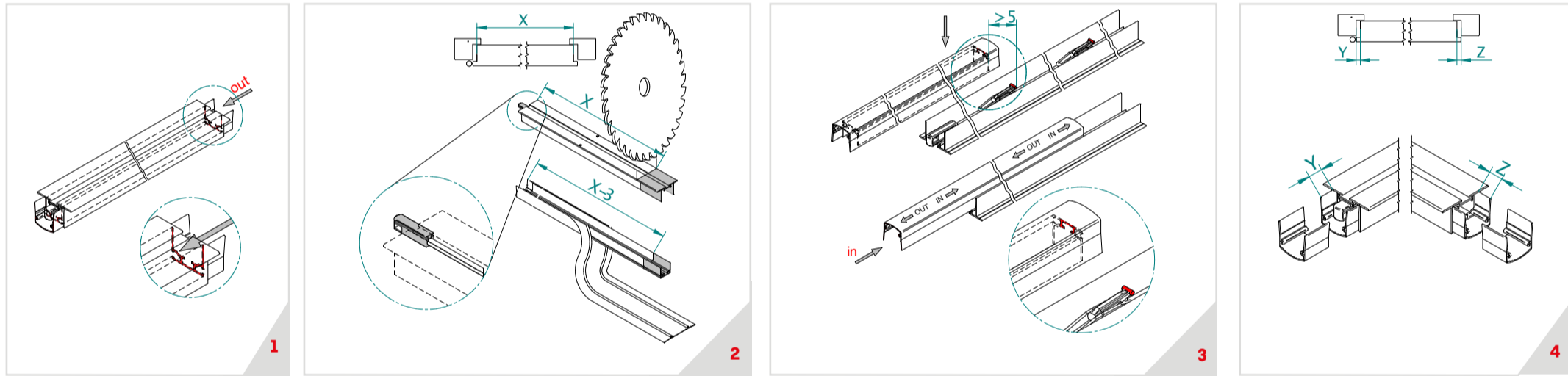


### Prüfen/check



D (mm)	Y (mm)	C (mm)
< 8	< 5	< 17
8	5	17
	7	19
	9	21
10	5	18
	7	20
	9	22
12	5	20
	7	22
	9	24
14	5	22
	7	24
	9	26
16	5	24
	7	26
	9	28

### Kürzen/cutting



### Montage/fitting

