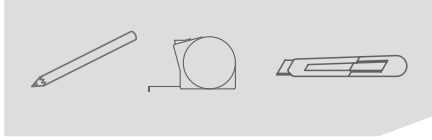


## FITTING INSTRUCTION

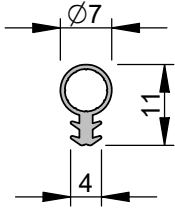


### TOOLS REQUIRED

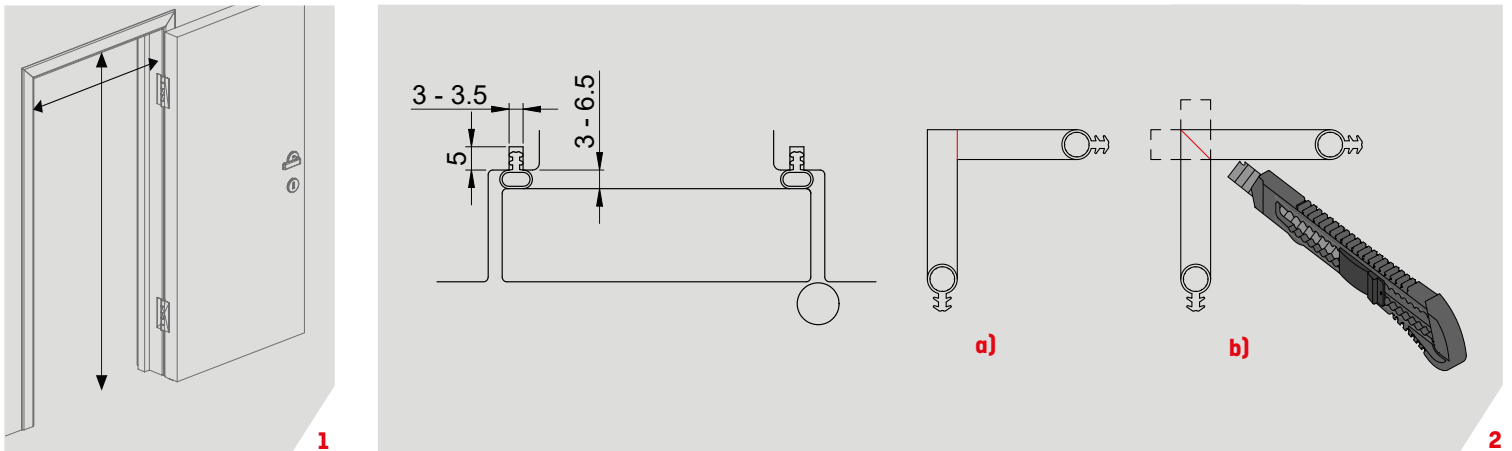
- / pencil or marker
- / tape measure
- / cutter or scissors

### VALID FOR:

PS 0704 S



### INSTRUCTIONS:



- 1 To be fitted with the door fully opened. Measure the height and width of the door frame and cut the seal to at least 5 cm longer than the measured length.
- 2 Place the gasket at the top of the frame and push into place from one end to another. On the long sides, push the gasket into place from top to bottom. Make sure that the gasket is not stretched during this process. There are two options for the corner joint:
  - a) In case of butt joint, extend the gaskets fully at top or fully on long edges as desired ensuring fine joint.
  - b) For miter joints, extend the gaskets fully to overlap at the top corners and then miter cuts can be made at 45° to provide a neater appearance.
- 3 Trim off the excess gasket after installation.
- 4 Close the door and check for a uniform seal around the door.

### NOTE:

- / suitable for installation on new doors as well as for retro-fitting on existing doors with a 3 x 5 mm frame groove
- / designed to seal gaps of 3 - 6.5 mm between door leaf and frame
- / ensure that the groove in which the gasket is being fitted is dust-free, clean and dry
- / product is not to be stretched
- / Make sure the fitting of the perimeter seal does not obstruct the function of the door. It is recommended to regularly check that the door opens and closes frictionlessly.